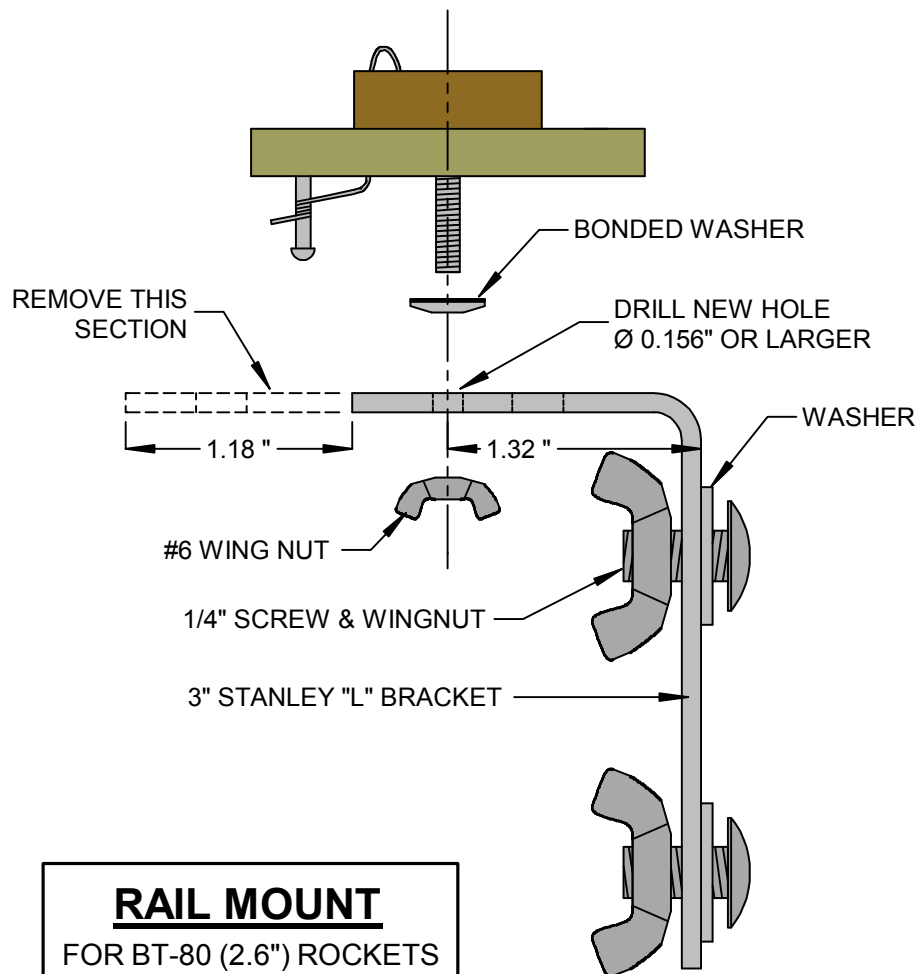
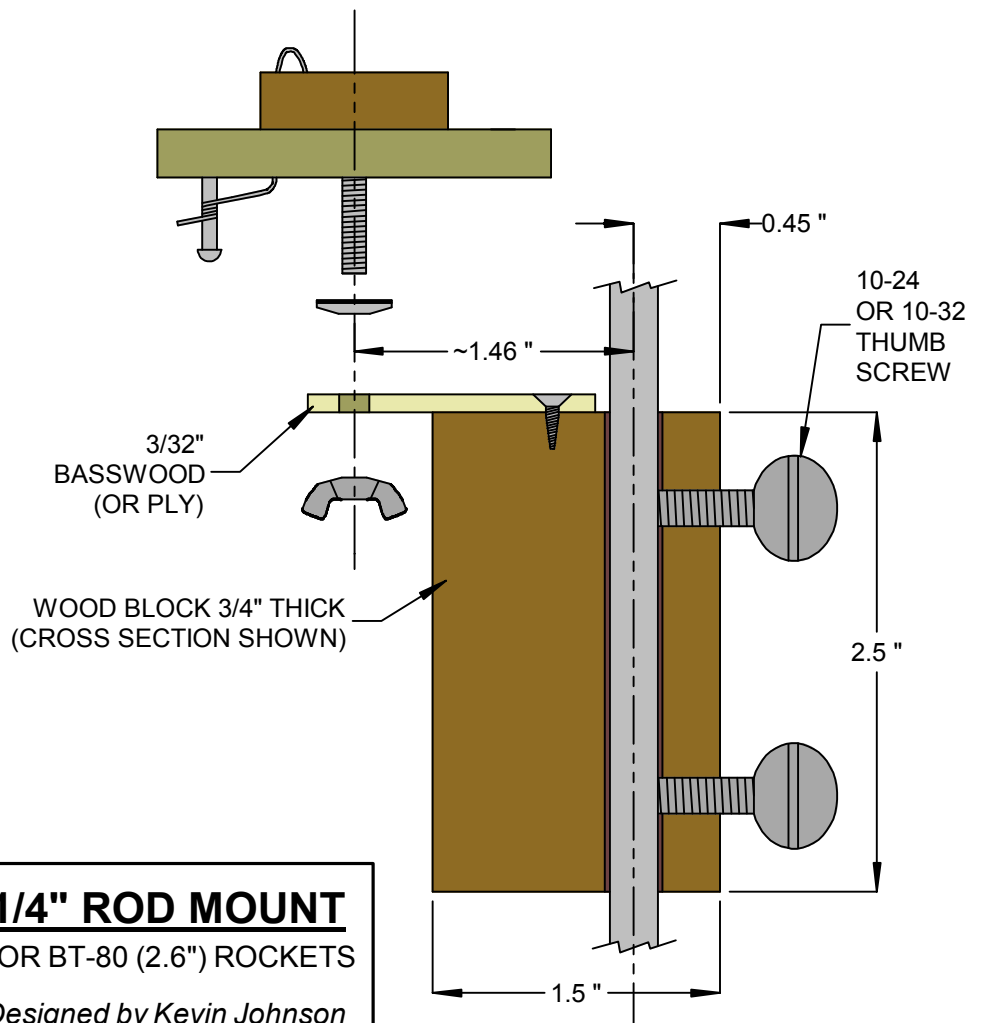


# ATTACHING PVC SPIDER TO LAUNCH PAD

DRAWN BY J. T. TSCHIRHART 3-13-06



**RAIL MOUNT**  
FOR BT-80 (2.6") ROCKETS  
*Designed by J. T. Tschirhart*



**1/4" ROD MOUNT**  
FOR BT-80 (2.6") ROCKETS  
*Designed by Kevin Johnson*